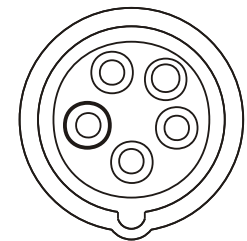
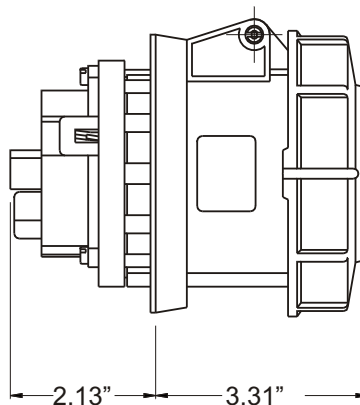
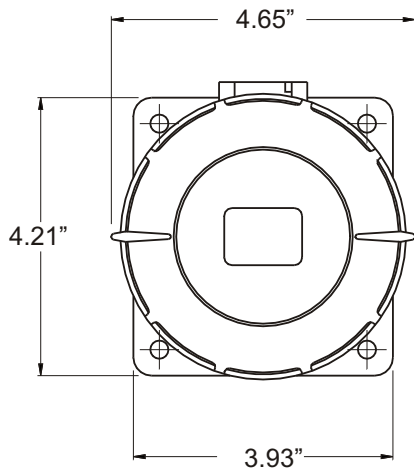


RECEPTACLE, PANEL MOUNTED

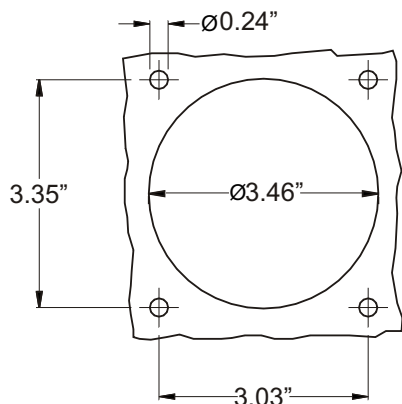
Part No.	ME 560R9W
Description:	60 Amp 3 Y 120/208Vac 4 Pole, 5 Wire Receptacle
Construction:	Watertight IEC IP 67
Approvals:	UL Listed Standards 1682; 1686 CSA Certification to Spec. C22.2 No. 182.1 IEC 60309-1; IEC 60309-2

IEC COLOR CODE: Blue

GROUND SOCKET: 9 Hour Position Mates with Male in 3 Hour Position.



Front View of Receptacle



Panel Cut Out

Wire Range: #4-#8 AWG

Drawing Not to Scale